

**ENSURE CARGO
ARRIVES SAFELY
& ON TIME.**

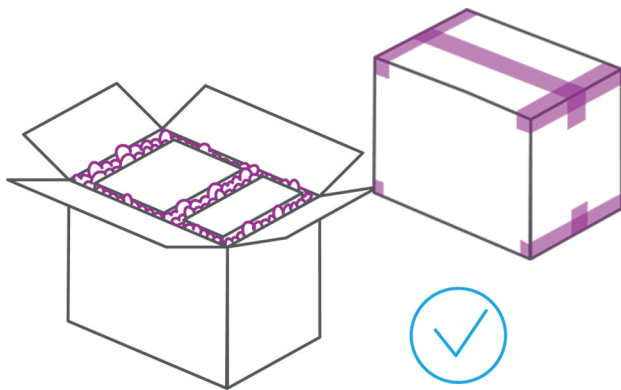
AIRBORNE
expressTM

Your **time critical** cargo solution.

Packing your goods properly is one of the most important factors in ensuring cargo arrives safely and on time.

*Shipments containing **dangerous goods** must be fully compliant with IATA and ADR regulations.*

Shipping Boxes?



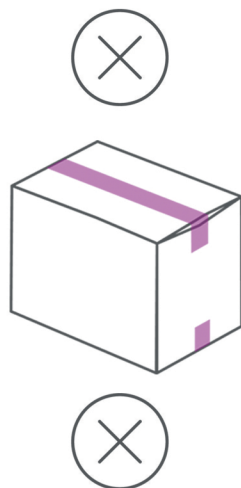
- 1 Use high quality cardboard boxes**
Used boxes lose strength. Ensure your box is rigid and in good condition.
- 2 Choose a box that is the right size**
Under filled boxes can collapse and over filled boxes can burst.
- 3 Greater than 20kg must have a 'HEAVY' sticker**
Greater than 30kg use a pallet (Domestic)
Greater than 70kg use a pallet (International)
- 4 Seal with an H**
Use Pressure Sensitive Tapes
- 5 Label correctly**
 - * Remove any old labels
 - * Use orientation labels
 - * Use any appropriate special handling labels
 - * Number cargo items
 - * Indicate how many items there are in total on each box

Suitable Packaging

Do not put heavy items in weak boxes. Boxes must be of sufficient strength, quality and size. If necessary, use additional strapping to strengthen your box.

Secure Your Freight

Place small items such as nuts and bolts into strong bags and then place within a secure box.



Damage Free Boxes

No punctured, crushed or otherwise damaged boxes.

Dry Boxes

No wet, leaking or water damaged boxes.

Heavy Items

Use pallets for boxes heavier than 70kg (International) or 30kg (Domestic)



REDUCE RISK OF DELAYS AND DAMAGE DURING TRANSIT BY FOLLOWING THESE TIPS

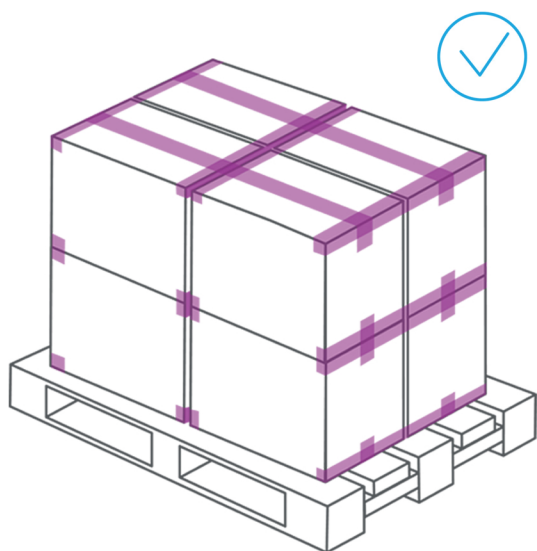


Your **time critical** cargo solution.

Packing your goods properly is one of the most important factors in ensuring cargo arrives safely and on time.

*Shipments containing **dangerous goods** must be fully compliant with IATA and ADR regulations.*

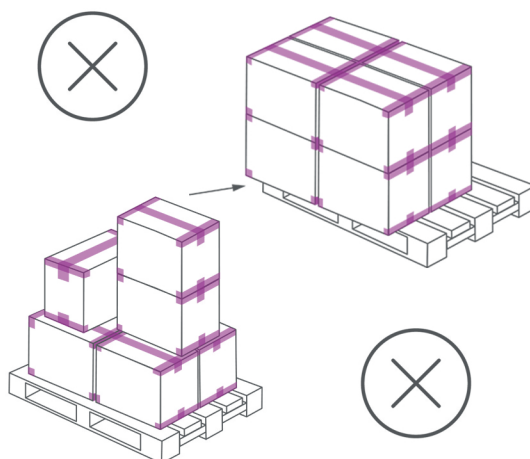
Using a Pallet?



- 1 Stack in columns**
Columns ensure maximum stacking strength.
- 2 A level top**
A flat, level top surface makes it strong, compact and stackable.
- 3 Choose a pallet that is the right size**
The pallet should be large enough so that the cargo does not overhang the edges.
- 4 Strap it or wrap it**
All cargo needs to be secured by either stretch wrapping or strapping.
- 5 Label correctly**
 - * Remove any old labels
 - * Affix labels to the side
 - * Number cargo items
 - * Indicate how many items there are in total on each box

Attach Items

Everything must be attached to the pallet with strapping and/or wrapping to form a single, inseparable unit.



Quality Pallets

Avoid poor-quality or damaged pallets.

Suitable Size

Items should not exceed the dimensions of the pallet.